

# BV3000

## Vented Manicure Desk



### Ventilated Manicure Nail Desk for Dust & Odours

Vented nail desk effectively controls dust and removes odours, protecting staff and clients. Conforms to CoSHH and the HSE document SR13

Essential to keep the busy salon, nail bar and Spa environment free from nail dust and odour. Stylish and functional. Some products used in Nail Salons such as fumes from Acrylic can cause dizziness, nausea and headaches. Nail dust from filing etc. can cause asthma.

The BV3000 effectively reduces the risk of absence due to illness from potentially dangerous odours and dust generated in the normal working day.



Demonstrating adequate control of the risks to the health of employees, students and the general public, from dusts, powders, mists, fumes and vapours is the fundamental requirement of the Control of Substances Hazardous to Health (COSHH) regulations 2002 and 2004.

[www.benchvent.com](http://www.benchvent.com)

# BenchVent Ventilated Manicure Desk

NOTE: These units are recirculatory; i.e. filtered air is exhausted back into the workplace.

For a cleaner, healthier working environment.

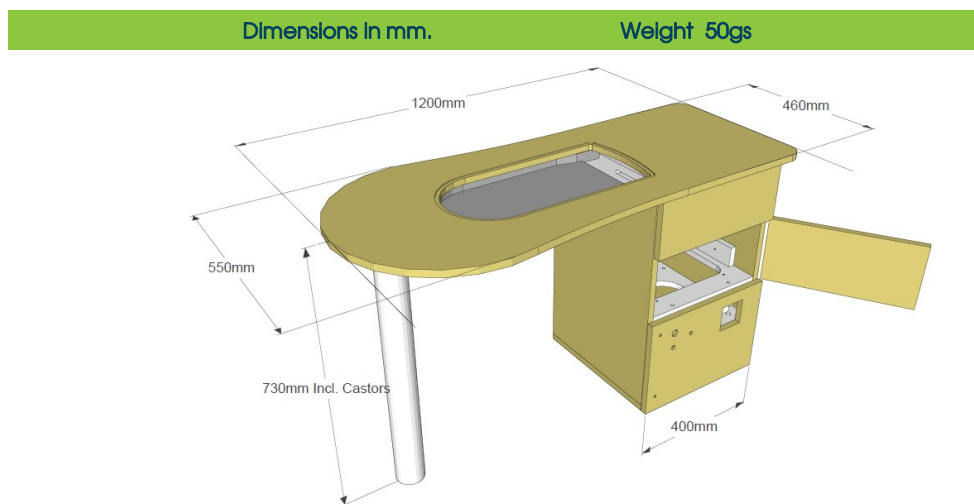
## Description

Melamine face MDF construction of the pedestal and top with aluminium down draught plate – 4 x castor wheels (2 locking) - pre dust particulate filter and activated carbon chemical/odour filter – high efficiency backward curved blower, UL, VDE and CSA approved – sealed electric wiring down stream of filters – filter blockage light, - fused electrical socket in pedestal - illuminated on/off switch.

## Operation

All BenchVent filtration and extraction systems carry a lifetime warranty, are quiet in operation and can be assembled in seconds.

Space saving, free standing vented manicure table can be sited in spa or beauty salons. Available in Right or Left Handed versions. Connect table top to pedestal and insert power cable. Once power cables are connected the nail desk is simply switched on and off via an illuminated switch on the front.



## Filtration

The particulate (intake) filter is a 2 stage fibre filter with a high 'dust' holding capacity for long life. Filtration to 5-10micron particles. NB: Nail particulate sizes vary from 10 to 20 microns. The final activated carbon filtration stage absorbs chemical and organic odours . A filter blockage warning light is fitted to warn when the particle filter need cleaning/changing. The chemical carbon filter needs to be changed as directed depending on use.

Through the process of filtration, absorption and dilution, technician / therapist and client exposure to airborne dust and chemical odour is vastly reduced and general salon cleanliness hugely enhanced.

## Specification

Model Number	Fan Motor* Spec	Air Volume At Free Air	Ave. Air Velocity At Down	Noise Level LAeq dB(A)
BV3000	230V 50Hz 60W	530m <sup>3</sup> /hr	3.3m/sec	58

\*110v 50 or 60Hz available on request

These units are designed as vented manicure desks to assist with cleanliness and for immediate operator and client protection from concentrations of airborne nail dust and chemical odours.

Please contact BenchVent for advice on the choice of machine for any given situation.

T: 01423 790039

E: [enquiries@benchvent.com](mailto:enquiries@benchvent.com)

W: [www.benchvent.com](http://www.benchvent.com)

BenchVent, Unit 1 Levens Hall Park, Lund Lane, Killinghall, Harrogate, North Yorkshire. HG3 2BG

Company No: 03217859 Registered office: Widespread Solutions Ltd, Unit 1 Levens Hall Park, Lund Lane, Killinghall, Harrogate, North Yorkshire. HG3 2BG

BenchVent is a trading style of Widespread Solutions Ltd

We go to great lengths to ensure accuracy in our literature, however we cannot be held responsible for errors or omissions. Information is given for guidance only and we reserve the right to alter specification.